

# SUBMITTAL: 1400 LIFESTART™ SERIES AED CABINET

**Description:** 1400 Series is designed to accommodate all Automated External Defibrillators (AED's) on the market today, with all except surface-mounted models, ADAC-Compliant . Select from steel, stainless steel or aluminum construction.

**Trim Construction:** #4 brushed stainless steel, clear anodized aluminum or CRS with white powder-coat finish. 1-3/4" trim on face and 1-1/4" trim on door.

**Door:** Formed door with 1-1/4" or 1-1/2" trim, mounted in a 5/8" door stop with zinc-plated handle and roller catch and continuous hinge. F and G styles include graphics on acrylic glazing as shown at right, other door styles include AED decal. Theft-deterrent SAF-T-LOK™ available for all door styles.

**Alarm:** 85 db Commander (audible) alarm standard.

**Trim Style & Depth:** Recessed – 3/8" flat trim, Semi-Recessed – 1-1/2" square edge or 3" rolled edge. Surface-mount has a square edge.

**Tub:** White powder-coated CRS except for aluminum and stainless surface-mounted models. Fire-rated available - [See Separate Submittal](#)



**1413F12SA Surface-Mounted Steel Cabinet With Optional Siren Strobe Alarm & AED Graphic**

**STEP 1: SELECT MODEL NUMBER AND QUANTITY ON CHART** (refer to chart on page 2)

A. Determine Trim Style according to wall depth. B. Determine Tub I.D. according to size most suited for extinguisher and wall opening.

**STEP 2: SELECT DOOR STYLE** Check one box below

- |  |   |
|--|---|
| <input type="checkbox"/> <b>F12</b> Full Acrylic Glazing; Pull & AED Graphic                     | <input type="checkbox"/> <b>E17</b> Horizontal Dual Panel; Tempered, SAF-T-LOK™, Pull & AED Decal |
| <input type="checkbox"/> <b>F17</b> Full Tempered Glazing; Pull & AED Decal                      | <input type="checkbox"/> <b>S21</b> Solid Door; Pull & AED Decal                                  |
| <input type="checkbox"/> <b>G12</b> Full Glazing; Acrylic, SAF-T-LOK™, Pull & AED Graphics       | <input type="checkbox"/> <b>L22</b> Solid; SAF-T-LOK™, Pull & AED Decal                           |
| <input type="checkbox"/> <b>G17</b> Full Glazing; Tempered, SAF-T-LOK™, Pull & AED Decal         | <input type="checkbox"/> <b>V12</b> Vertical Duo; Acrylic Glazing, Pull & AED Decal               |
| <input type="checkbox"/> <b>D12</b> Horizontal Duo Panel; Acrylic, Pull & AED Decal              | <input type="checkbox"/> <b>V17</b> Vertical Duo; Tempered Glass, Pull & AED Decal                |
| <input type="checkbox"/> <b>D17</b> Horizontal Duo Panel; Tempered, Pull & AED Decal             | <input type="checkbox"/> <b>W12</b> Vertical Duo; Acrylic, SAF-T-LOK™, Pull & AED Decal           |
| <input type="checkbox"/> <b>E12</b> Horizontal Dual Panel; Acrylic, SAF-T-LOK™, Pull & AED Decal | <input type="checkbox"/> <b>W17</b> Vertical Duo; Tempered, SAF-T-LOK™, Pull & AED Decal          |

**Optional Features at Additional Cost:**

- |   |  |
|---|--|
| <input type="checkbox"/> <b>(SA) Siren Strobe Alarm</b> 85 db Alarm (3" Trim & Surface-Mount Models Only)     | <input type="checkbox"/> Polished Chrome Handle (PUCH)                                     |
| <input type="checkbox"/> <b>(STC) Saf-T-Clasp</b> for Visual Notification When Door has been opened           | <input type="checkbox"/> AED Wall Signs ___ 14S ___ 14TX ___ 14XS (view on website)        |
| <input type="checkbox"/> <b>(14MAG) Magnetic Door Contact</b> for Existing Alarm Systems                      | <input type="checkbox"/> Etched, Silkscreen or Engraved Lettering - See separate submittal |
| <input type="checkbox"/> <b>(14RR) Roller Reed Ball Contact</b> for Existing Alarm Systems                    | Optional Colors - Contact Customer Service <a href="#">View Colors Online</a>              |
| <input type="checkbox"/> Optional Dark Bronze Anodized Aluminum Finish (Pulls painted to match)               | <a href="#">Bronze or Brass Finish</a> See separate submittal.                             |
| <input type="checkbox"/> Optional Stainless Steel Finishes ___ #6 ___ #7 <a href="#">View Finishes Online</a> | <a href="#">Custom Door Graphics</a> - company logos, photos, etc. Contact C.S.            |
| <input type="checkbox"/> Optional Tub Color: ___ Black ___ Red  |  |
| <input type="checkbox"/> Optional Tub Material ___ Stainless ___ Aluminum                                     |  |
| <input type="checkbox"/> Flush Pull Handle (PRH)  |  |

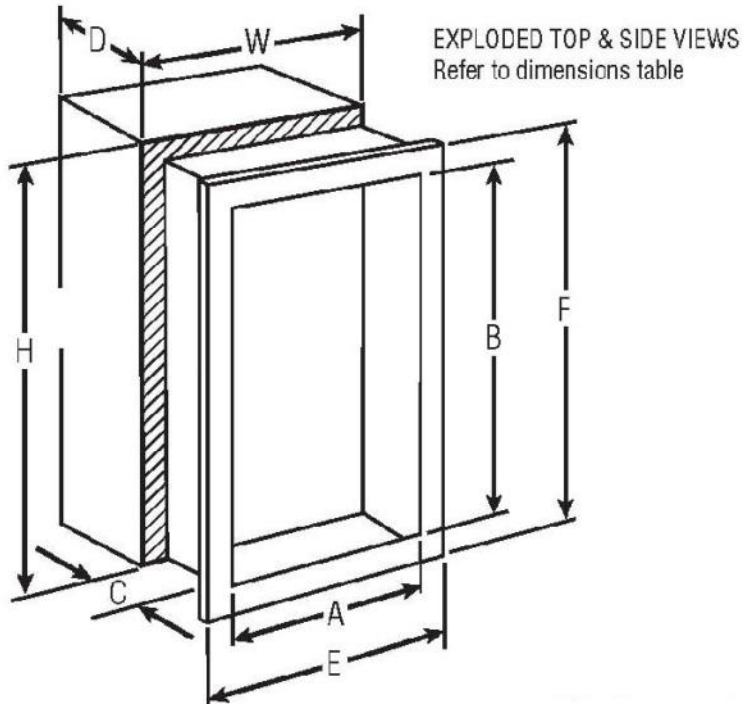


**1436F12 Semi-Recessed Cabinet in Stainless Steel with 1-1/2" Square Trim & AED Graphic**



AED Decal 4-1/2" x 1"

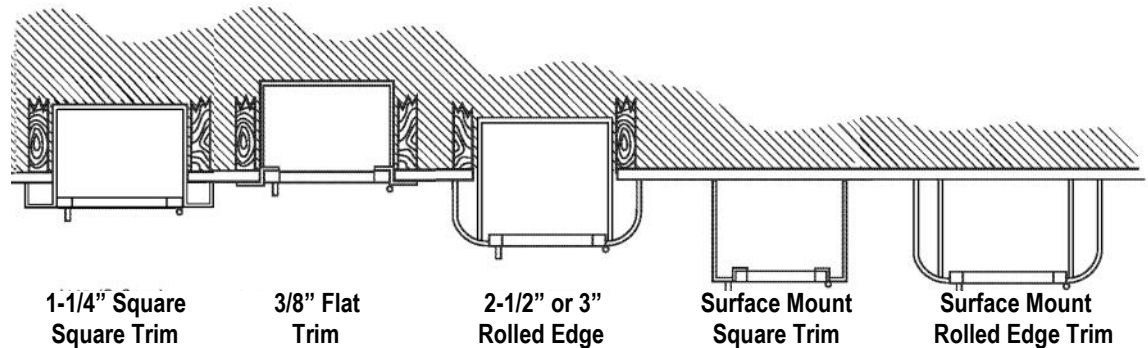
<p>LIFESTART IS A TRADEMARK OF ACTIVAR PLEASE DOWNLOAD MOST CURRENT SUBMITTAL FROM WEBSITE BEFORE ORDERING</p>	Distributor:	Quantity:
	Contractor:	Approved By:
	Model #:	Architect:
	Project:	Date: © 2019 Activar Construction Products Group, Inc.



1417 3" Rolled Edge Recessed



1419SA with Custom Graphics & Optional Color



TRIM & DOOR MATERIAL & SERIES #							TUB I.D.			FRAME O.D.		WALL OPENING		
QTY	STEEL	QTY	ALUMINUM	QTY	STAINLESS STEEL	TRIM STYLE	A	B	C	E	F	W	H	D
	1415		1425		1435	3/8" Flat Trim	14"	14"	6-3/4"	17-3/8"	17-3/8"	15"	15"	6-3/4"
	1416		1426		1436	1-1/2" Square	14"	14"	6-3/4"	17-3/8"	17-3/8"	15"	15"	5-7/8"
	1417		*1427		1437	3" or 2-1/2" Rolled	14"	14"	6-3/4"	17-3/8"	17-3/8"	15"	15"	*3-3/4"
	1413 Sq Edge		1423 Sq. Edge		—	Surface Mounted	17-3/16"	17-3/16"	7"	17-3/8"	17-3/8"	—	—	—
	1419 Rolled Edge		—		1439 Rolled Edge	Surface Mounted	17-3/16"	17-3/16"	7"	17-3/8"	17-3/8"	—	—	—

\* Model 1427 has 2-1/2" Trim & Requires 1-3/4" Deeper Wall Opening